

KLAAR STEEL chair



Design by
Martin Pärn
iseasi

Rationality, neutrality and the precise aesthetic finishing of parts that characterize Klaar are qualities that never go out of date nor submit to the rapidly changing vogues.

The clarity and lightness of its shape and the wide selection of materials make Klaar suitable for using in many different modern architectural contexts, offering solutions that meet different requirements. The Klaar family includes park benches for three where it is good to sit and rest one's back to gaze at the sea, single chairs that offer a moment of rest and a chance to be alone in the noise of a city square as well as seats and tables that enable the creation of picnic settings in a park.

KLAAR STEEL chair



FEATURES

Due to the proportions, shape and use of materials, Klaar is very ergonomic and comfortable also making it suitable to a modern architectural context as well as to a historic setting.

Different armrest configurations are possible for the bench.

A wide range of different products, including chairs, seats and tables, in the family to complement various uses and environments.

The hot-dip galvanized and powder-coated steel frame makes the product very resistant to weather and use.

Extery quality without compromise- harmonious design, carefully selected materials and engineering considered to the last detail.



METAL

The steel frame is available in hot-dip galvanized and powder coated finish. The hot-dip galvanizing is done according to ISO 1461:2009 standard.

RAL recommendation by designer:



RAL 7016
+ graffiti
protection



RAL 7039



RAL 9005



Elastomeric
coating



RAL 3005

EXTRAS

Elastomeric coating for seat and backrest surface. Elastomer provides additional protection against scratches and makes the metal surface warmer and softer to the touch.

The tone of the elastomer is close to RAL 7021.

INSTALLATION

Freestanding on a firm base.

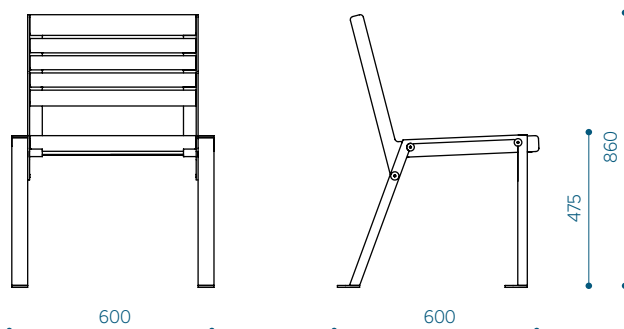
Anchored to a firm foundation.

Material marking in product code:
pl- elastomeric coating

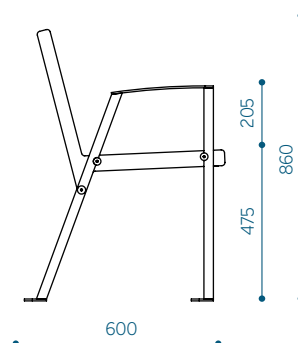
The use of the legend for chair with
two armrests and elastomeric cover:
KLSB60-02-pl

DIMENSIONS

Klaar Steel chair, without armrests -
KLSB60



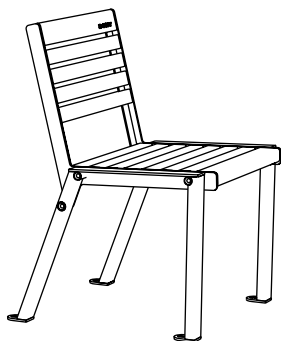
Klaar Steel chair, with 2 armrests -
KLSB60-02



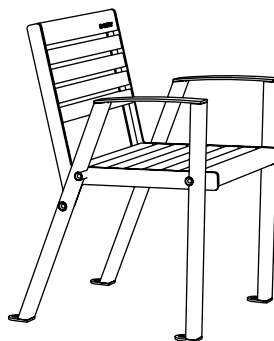


VARIATIONS

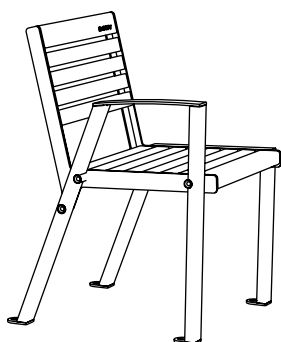
Klaar Steel chair, without armrests -
KLSB60



Klaar Steel chair, with 2 armrests -
KLSB60-02



Klaar Steel chair, with right armrest -
KLSB60-04



Klaar Steel chair, with left armrest -
KLSB60-05



Material marking in product code:
pl- elastomeric coating

The use of the legend for chair with
two armrests and elastomeric cover:
KLSB60-02-pl