

## CLUB table



Geometric Club is an undemanding family of seats and a table, created for being used in different environments starting from sports clubs to picnic places in the parks. The Club bench range comes with an option of being with or without the back support, as well as having table designs to complement the product range.

Design by  
**TenTwelve**



# CLUB table



## FEATURES

The combination of Club benches and tables enable the creation of enjoyable picnic areas.

The construction is designed so that wooden parts are easy to maintain and replace.

No visible fixing materials on the top surfaces of the wooden parts to ensure a pleasing look and feel of the products.

The hot-dip galvanized and powder-coated steel frame and high-quality, knot-free wooden material makes the product very resistant to weather and use.

Extery quality without compromise- harmonious design, carefully selected materials and engineering considered to the last detail.



## WOOD

The wood selection includes double layer oil coated knot-free thermo-treated ash and tropical wood. Tropical wood has no top coat.



Thermotreated ash (oiled)



Tropical wood



RAL 7016 + graffiti protection



RAL 7039



RAL 9005



RAL 9010

RAL recommendation by designer:

The steel frame is available in hot-dip galvanized and powder coated finish. The hot-dip galvanizing is done according to ISO 1461:2009 standard.

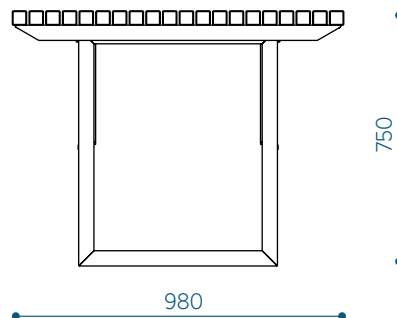
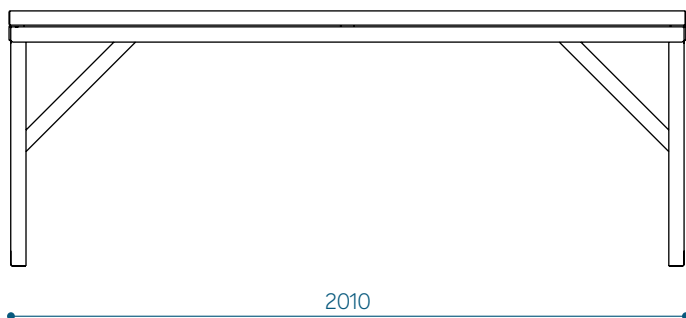
## INSTALLATION

Freestanding on a firm base.

Anchored to a firm foundation.

## DIMENSIONS

### Club table - CLT200



Material marking in product code:  
a- thermo-treated ash  
t- tropical wood

Example of the code use with tropical wood: CLT200-t