

VANDAL 75 litter bin



The geometrical simplicity and elegance makes Vandal 75 perfectly blend into urban space meanwhile being enough handsome eye-catcher. The lid above the waste opening does not let the rain fall inside the bin and prevents birds from pulling out the litter. Vandal´s overall construction with fixed container and ashtray, together with “not a single loose detail” solution ensures the product durability for vandalism and misuse.

Design by
Margus Triibmann



VANDAL 75 litter bin



FEATURES

The stainless steel cigarette extinguisher on the lid prevents burning marks.

The height of the plinth of 200 mm ensures comfortable maintenance also during snowy weather conditions.

Emptying: no key needed for opening as the bin is locked in the closed position with an additional latch-operated frame. The tilting container ensures easy emptying and convenient changing of the plastic bag.

There are special slots on the inner sides of the bin to secure the plastic bag ensuring an aesthetic appearance.

Spacious ashtray inside the lid opens with an easy movement.

Extery quality without compromise- harmonious design, carefully selected materials and engineering considered to the last detail.

Product video: <https://www.youtube.com/watch?v=EoOM33YsdRY>



METAL

Hot-dip galvanized and powder coated sheet metal corpus and metal frame. The frame galvanization meets the ISO 1461:2009 standard.

RAL recommendation by designer:



RAL 7016
+ graffiti
protection



RAL 6005



RAL 9016



RAL 9007

INSTALLATION

Anchored to a firm foundation.

Anchored to the substructure laid into the ground.

EXTRAS

Anti-graffiti coating - we offer the possibility to cover the waste bin with anti-graffiti coating. The anti-graffiti coating is repellent to the new color and makes the surface of the product very easy to clean.

Wall mounted version.

Extended leg for underground installation.

Material marking in product code:

02- wall mounted

03- extended leg

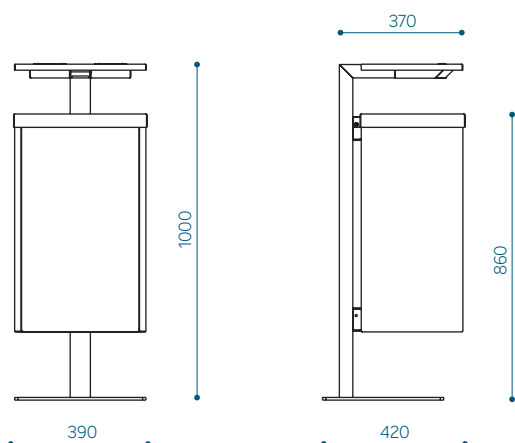
G- anti-graffiti coating

The use of the legend for wall mounted Vandal 75 with anti-graffiti coating:
VAN75-G02

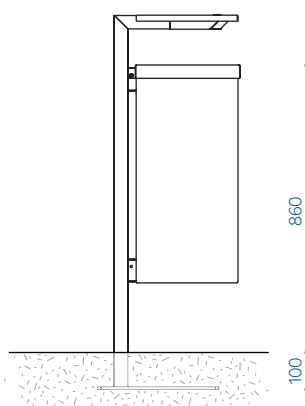
DIMENSIONS

Vandal 75 - VAN75

Capacity: 75 l



Extended leg



Wall mounted

