

SUME table



Design by
Kaspar Torn
iseasi

Urban space is our common and shared living room, which we don't pass just to go to work or home. In order for the urban space to be rich and exciting meanwhile create new opportunities for us, we need to have small tips and opportunities-creating products.

That's exactly what Extery team is doing and which we are proud of.

Why drink coffee while standing or eat street food from your lap? Take your time, sit down, spread your stuff on Sume's table and hang the bag on the rod. Unobtrusive but necessary.

You don't need much to have a happy moment.

SUME table



FEATURES

Some table is simple but distinctive in design.

A separate loop on the table top is designed to comfortably hang your bag.

The leg with the wooden slat creates a distinctive combination.

The different heights of the Some table allow you to create areas with different functions and characteristics.

Some tables can be arranged playfully and flexibly with Some seats, meanwhile the tables fit perfectly with other sets in our collection as well.

Extery quality without compromise- harmonious design, carefully selected materials and engineering considered to the last detail.



WOOD

The wood selection for the leg slat includes double layer oil coated knot free thermo-treated ash and knot-free tropical wood with no top coat.



Thermotreated ash (oiled)



Tropical wood

METAL

The steel frame is available in hot-dip galvanized and powder coated finish. The hot-dip galvanizing is done according to ISO 1461:2009 standard.

RAL recommendation by designer:



RAL 7016
+ graffiti
protection



RAL 9005



RAL 6027



RAL 3022

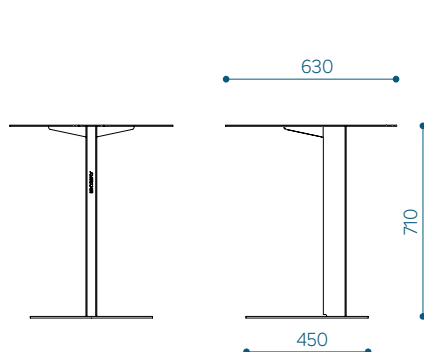
INSTALLATION

Freestanding on a firm base.

Anchored to a firm foundation.

DIMENSIONS

Some table, 710 -
SUMT-71



Some table, 910 -
SUMT-91

