

NET litter bin



Elegantly intertwining wood and metal, the Net waste bin exudes a touch of sophistication. Its perforated front and back panels not only enhance its distinctive character but also lend a visually light and airy aesthetic. Ideal for both urban streets and upscale public interiors.

NET litter bin



FEATURES

Waste opening on both sides of the product allows convenient waste throwing.

Stainless steel ledge around the waste opening to endure scratches and dirt.

Top opening with a durable hinge system.

Emptying: opening with triangular key. Inner container for safe handling of waste.

Galvanized and powder painted metal sheet has excellent corrosion protection and aesthetic look.

Extery quality without compromise- harmonious design, carefully selected materials and engineering considered to the last detail.

Product video: <https://www.youtube.com/watch?v=jr-g7r1k5gg>



METAL

The construction is made from hot-dip galvanized and powder coated sheet metal. The thickness of the zinc layer is 275 g/m², which meets the EN 10346:2006 standard.

RAL recommendation by designer:



RAL 7016
+ graffiti
protection



RAL 7039



RAL 6005



RAL 9007

INSTALLATION

Free-standing on a firm base.

Anchored to a firm foundation.

EXTRAS

Anti-graffiti coating - we offer the possibility to cover the waste bin with anti-graffiti coating. The anti-graffiti coating is repellent to the new color and makes the surface of the product very easy to clean.

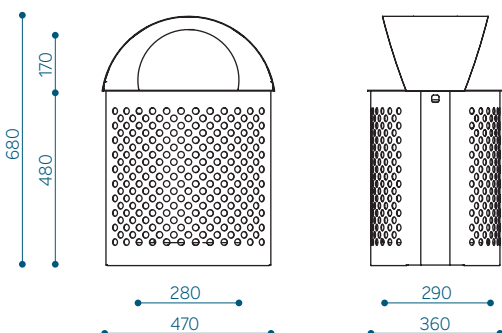
Material marking in product code:
G- anti-graffiti coating

Example of code use for Net 100 with
anti-graffiti: NET100-G

DIMENSIONS AND VARIATIONS

Net 30 litter bin - NET30

Capacity: 30 l



Net 100 litter bin - NET100

Capacity: 100 l

