

## LOOK litter bin



Design by  
**Tarmo Luisk**

Elegant and discrete Look series has been created for contemporary city space. Being unnoticeable it may become coquettish advertising space. Look is ideal for designing public space. Various containers are suitable for the use of passages between top-line office buildings, filling stations and in the yards of modern blocks of flats or on pet playgrounds. Equipped with several compartments the containers of this series enable storage of pre-sorted waste.

Together with biodegradable plastic bags Look extricates you from waste in a delicate and environmentally friendly way.

# LOOK litter bin



## FEATURES

The wide waste opening is suitable for bigger waste e.g. pizza boxes.

Stainless steel ledge around the waste opening to endure scratches and dirt.

Separate ashtray with the ash opening on the lid.

Stainless steel roof prevents burn marks from cigarette extinguishing.

Sufficient plinth ensures comfortable emptying of the product in snowy conditions.

Emptying: triangular key for locking. Inside located metal band fixes the waste bag and provides comfortable use. Possibility to add a metal container for safer waste removal.

Extery quality without compromise- harmonious design, carefully selected materials and engineering considered to the last detail.



## METAL

The construction is made from hot-dip galvanized and powder coated sheet metal. The thickness of the zinc layer is 275 g/m<sup>2</sup>, which meets the EN 10346:2006 standard.

RAL recommendation by designer:



RAL 7016  
+ graffiti  
protection



RAL 7039



RAL 6005



RAL 9007

## INSTALLATION

Free-standing on a firm base.

Anchored to the pavement.

Anchored to the substructure laid into the ground.

## EXTRAS

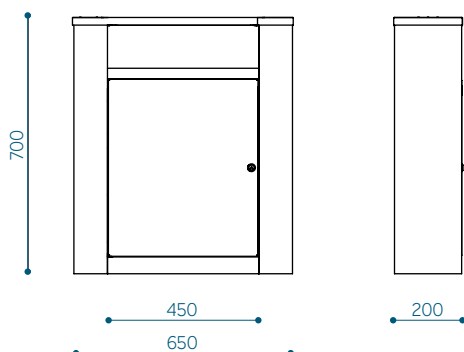
**Anti-graffiti coating** - we offer the possibility to cover the waste bin with anti-graffiti coating. The anti-graffiti coating is repellent to the new color and makes the surface of the product very easy to clean.

**Container** - possible to choose an extra galvanized container for safer waste removal in the presence of broken glass.

## DIMENSIONS AND VARIATIONS

### Look 30 litter bin - LOK30

Capacity: 30 l



Material marking in product code:  
01- container  
G- anti-graffiti coating

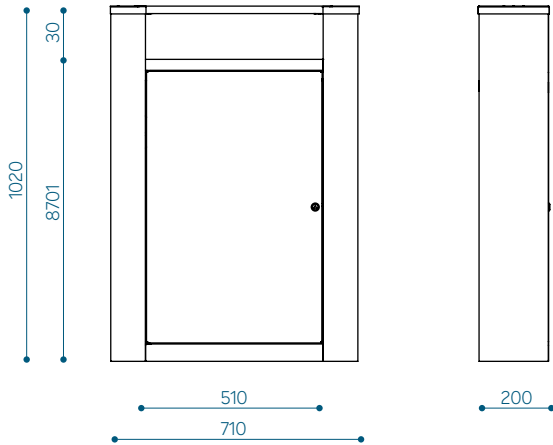
The use of the legend on the example of Look 30 with container and anti-graffiti coating: LOK30-G01



## DIMENSIONS AND VARIATIONS

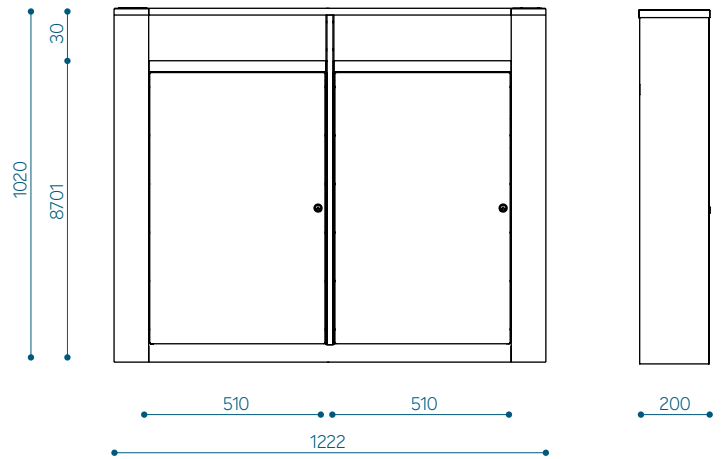
### Look 70 litter bin - LOK70

Capacity: 70 l



### Look@2 litter bin - LOK@2

Capacity: 2 \* 70 l



### Look@3 litter bin - LOK@3

Capacity: 70 l + 2 \* 30 l

