

DOGSTATION M3



Your dog loves running around in the park with you, and keeping pace as you walk the streets around where you live – and neither of you want the worry of stepping in something nasty. What makes a clean living environment so attractive is that there are fewer reasons to worry. Dog-Station is a solution combining a waste bin and a plastic bag dispenser. Having DogStations dotted around your town or city isn't just useful: its a sign of cleanliness and care.



DOGSTATION M3



FEATURES

Dogstation is a complete set which includes a plastic bag tray and a waste bin.

An ideal solution for pet owners to clean up after their pets.

The included spacious plastic bag dispenser holds up to 800 plastic bags.

Plastic bags are stored in cassettes which makes it extremely easy to fill the tray.

If any need to install the dispenser separately from the tray we offer Dogstation D3.

Extery quality without compromise- harmonious design, carefully selected materials and engineering considered to the last detail.



METAL

Hot-dip galvanized and powder coated sheet metal corpus and metal frame. The frame galvanization meets the ISO 1461:2009 standard.

RAL recommendation by designer:



RAL 7016
+ graffiti
protection



RAL 7039



RAL 6005



RAL 9007

INSTALLATION

Anchored to the pavement.

Anchored to the substructure laid into the ground.

EXTRAS

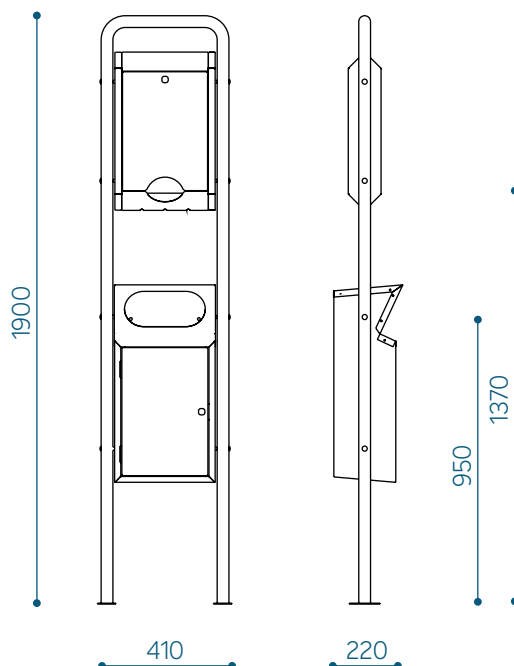
Anti-graffiti coating - we offer the possibility to cover the waste bin with anti-graffiti coating. The anti-graffiti coating is repellent to the new color and makes the surface of the product very easy to clean.

Material marking in product code:
G- anti-graffiti coating

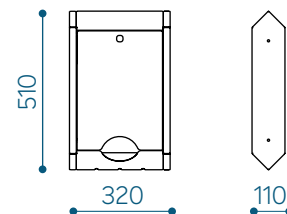
The use of the legend on the example of M3 with anti-graffiti coating: DGM3-G

DIMENSIONS

Dogstation M3 - DGM3



Dogstation D3 dispenser - DGD3



A dispenser that is separate from the complete set. Can be mounted either on the wall or on the post.